

CLASS 125

BRONZE GLOBE VALVE

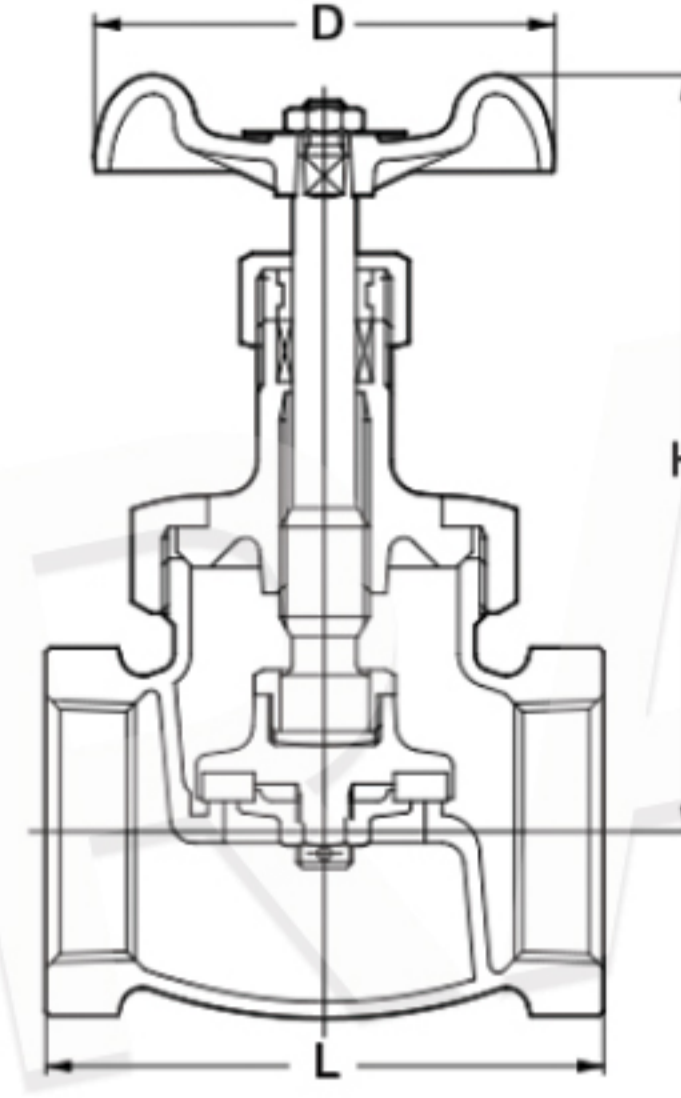
Union Bonnet*, Rising Stem, Soft seated disc
Threaded ends to BS21 (JIS B0203) or NPT

W.O.G. non-shock 1.38 MPa (200 psi), Saturated steam pressure 0.86 MPa (125 psi)



Fig. G

• Threaded end to BS21 (JIS B0203)



Materials

Parts	Material
Body	Bronze
Bonnet	Brass/Bronze*
Stem	Dezincification Resistant Brass
Disc	G/F PTFE
Gland Packing	Aramid Fibers Graphite

*Size 2½ and 3

⚠ Don't use for Flammable gas or Toxic gas.

Dimensions

Nominal Size	inch	1/4	3/8	1/2	3/4	1	1¼	1½	2	2½	3	mm
	mm	8	10	15	20	25	32	40	50	65	80	
L		47	53	57	66	76	88	100	120	147	162	
H valve open		68	88	100	110	120	140	156	185	210	229	
D		50	55	60	70	80	90	100	115	135	155	